



LEFROY BROOKS

1 8 2 8 T R O U T M A N S T R E E T
R I D G E W O O D N E W Y O R K N Y 1 1 3 8 5 U S A
T: +1(718) 302 5292 F: +1(718) 302 4177

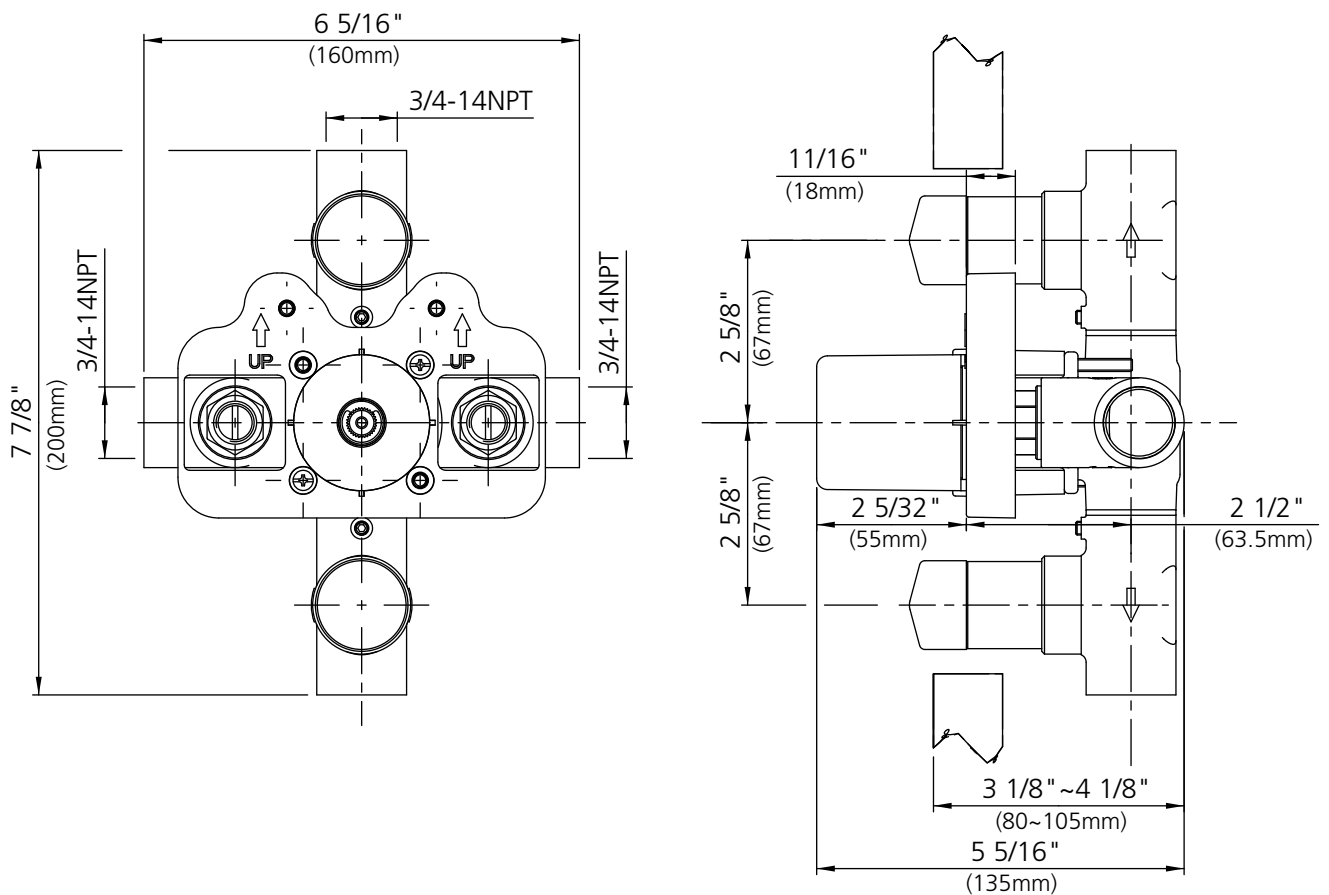
M1-4202

THREE HANDLE THERMOSTATIC ROUGH WITH 2 FLOW CONTROLS,
TO SUIT M1-4403 & X1-2012

DIMENSIONAL DATA SHEET

DATE: 1 July 2009

No: A661059



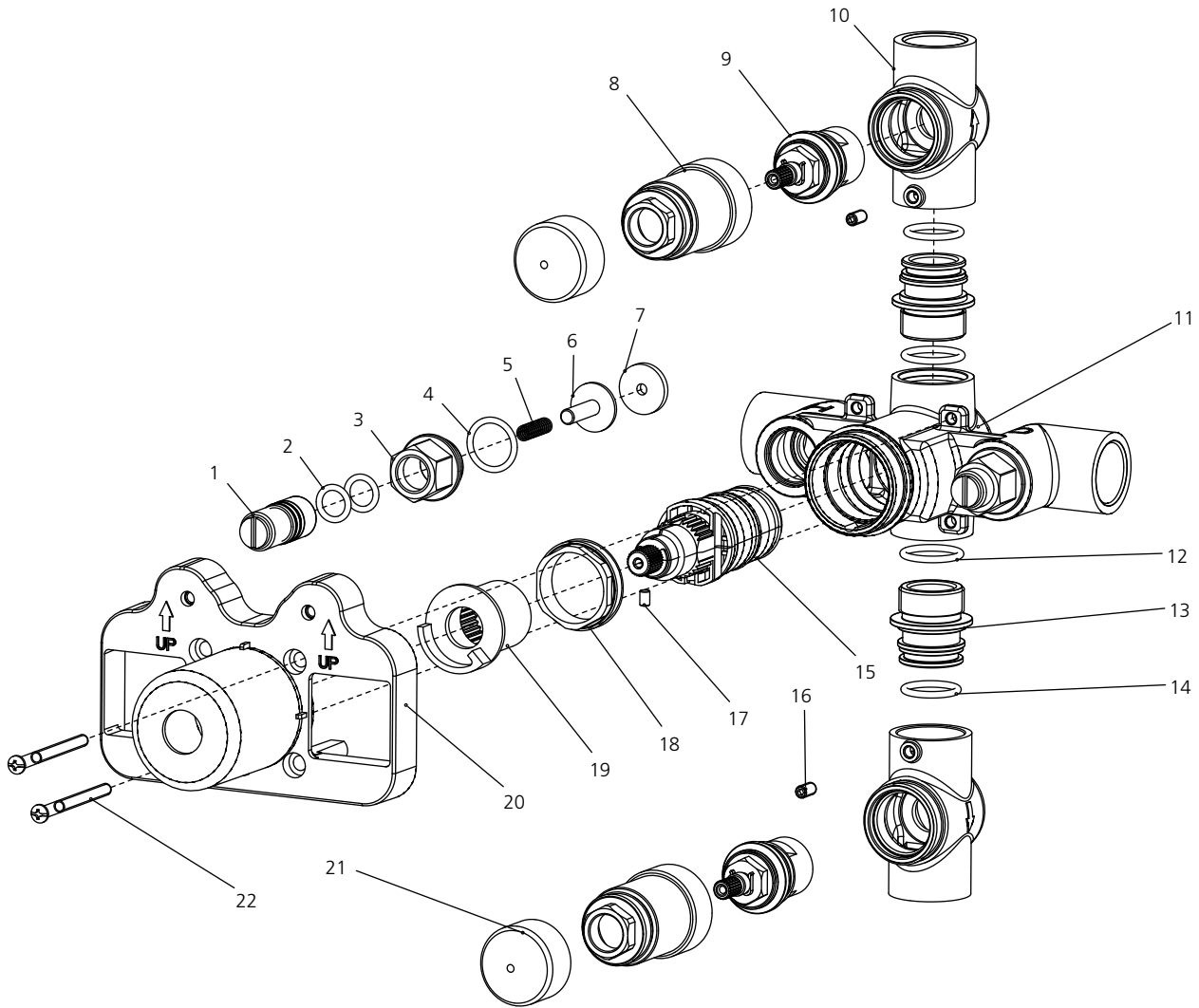
©COPYRIGHT 2009. CHRISTO LEFROY BROOKS. ALL RIGHTS RESERVED.

DIMENSIONS IN INCHES & MILLIMETRES

WHILST EVERY EFFORT IS MADE TO ENSURE THE ACCURACY OF THESE DATA SHEETS THEY ARE SUBJECT TO CHANGE WITHOUT NOTICE AS PART OF THE COMPANY'S PRODUCT DEVELOPMENT PROCESS

M1-4202

THREE HANDLE THERMOSTATIC ROUGH WITH 2 FLOW CONTROLS, TO SUIT M1-4403 & X1-2012



- | | | | |
|----|-----------------------------|----|---------------------------------|
| 1 | Spindle (017119) | 12 | O-ring (048017) |
| 2 | O-ring (048038) | 13 | Adaptor (067945) |
| 3 | Nut (009111) | 14 | O-ring (004096N) |
| 4 | O-ring (063060) | 15 | Thermostatic cartridge (507132) |
| 5 | Spring (005060) | 16 | Set screw (053009) |
| 6 | Cartridge (024092) | 17 | Pin (003146) |
| 7 | Oil-seal (010113) | 18 | Adjusting ring (104061) |
| 8 | Sleeve (067946) | 19 | Stopper (049108) |
| 9 | Cartridge assembly (507455) | 20 | Plaster guard (127215) |
| 10 | Body (076707) | 21 | Rubber protective cap (045432) |
| 11 | Body (076706) | 22 | Screw (008241) |